

R = 30.00
L = 33.51
C = 31.79
N 31°07'40" E

MAYFIELD ROAD

REVISED
5/1/2018

N
1" = 60'

Middlehurst Road 50'

NEW LOT "B"
52,003 SQ. FT.
1.194 ACRES

MULTI-LEVEL MASONRY
COMMERCIAL BUILDING
ADDRESS 2926 D.MAYFIELD
AREA OF FOOTPRINT
14,899 SQUARE FEET

LOCATION OF
11'-3" x 4'-5" diameter
ABOVE-GROUND
GAS TANK

R = 973.81
L = 360.94
C = 358.88
N 11°29'23" W

N 22°06'29" W
12.30

S 70°18'56" W 140.35

S 70°18'56" W 477.31

684-06-034
Carl Unterwiesing
Vol. 93-2786, Pg. 32

7
ki
B-49

8
ze
0706

9
en
pis
Pg. 5

18-13
PROJECT NO.

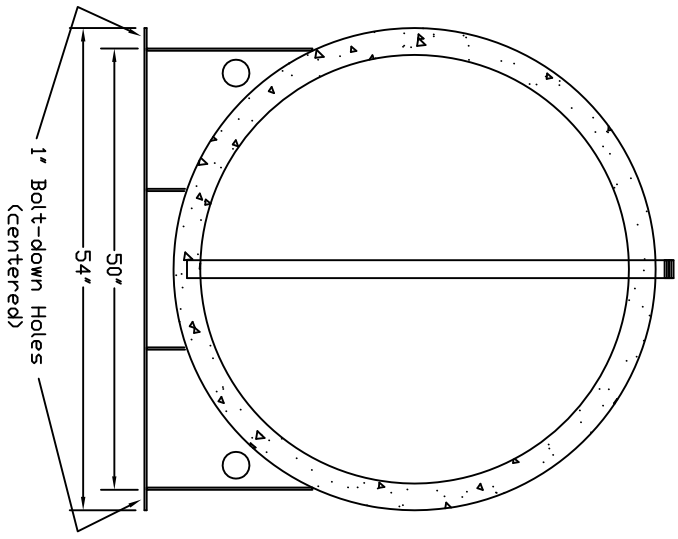
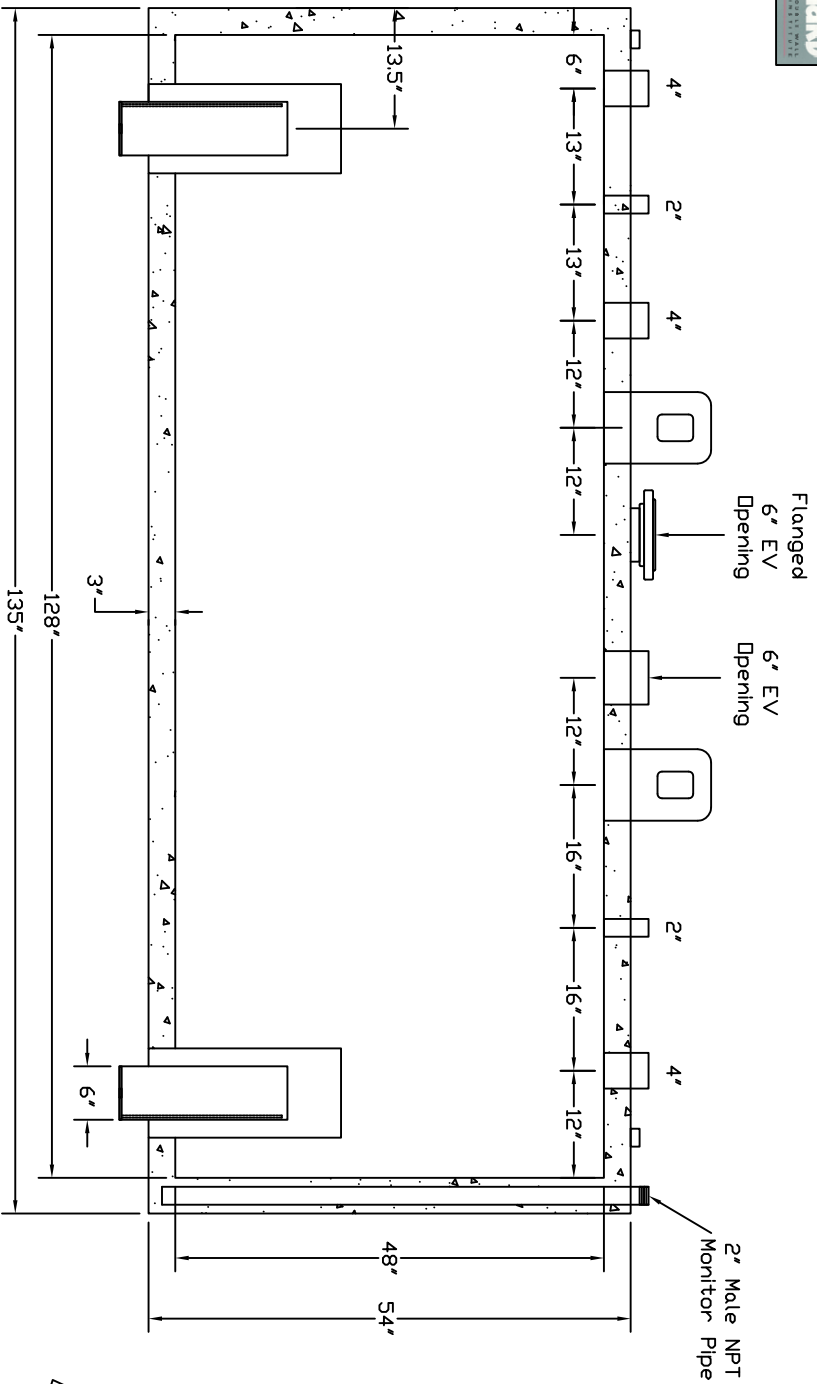
RECEIVED MAY 1 - 2018

Starwade Metal Products, Inc.
 6868 State Route 305 PD Box 10
 Hartford, Ohio 44424
 Phone: 800-826-5243 Fax: 1-330-772-3307
 www.tankstore.com

Tank For Stationary Use Only



Capacity	1,000 Gallons	Heads	Primary 7 Ga.	Paint Ext.	White Urethane
Design	AG Dual Wall	Shell Primary	7 Ga.	Paint Int.	
Code	UL 2085 Fireguard	Heads Secondary	7 Ga.	Weight Empty	5,175 lbs.
Test Pres.	5 PSI	Shell Secondary	7 Ga.	Rev.#	Date:



Customer: _____ Dwg. Date: _____
 Quoted Lead Times Begin Upon Receipt of signed Approved Drawing, Which Must be Returned Before Production Can Begin.
 Drawing Approved By: _____



FIREGUARD
LIGHTWEIGHT DOUBLE WALL
METAL TANK INSTITUTE